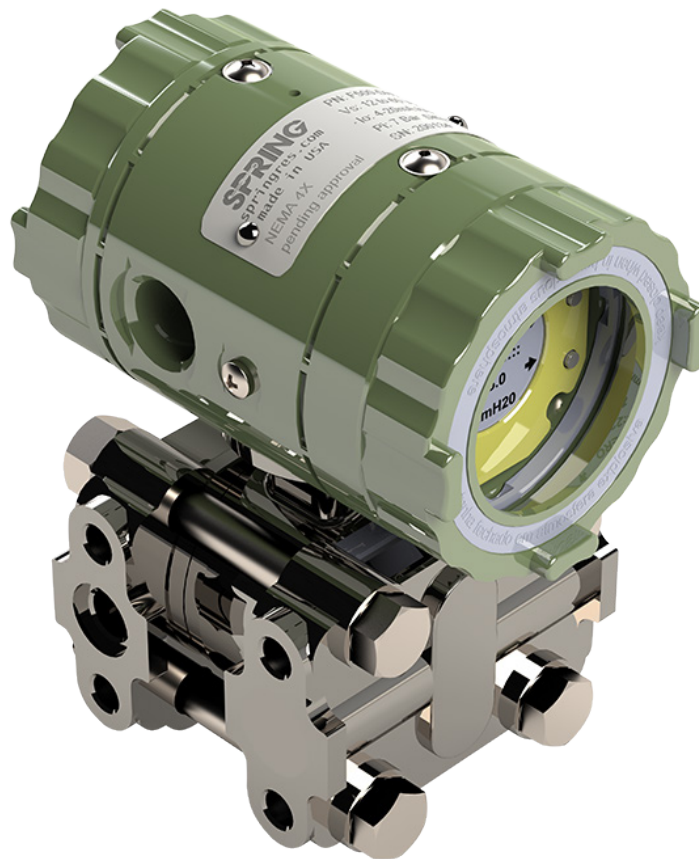


---

# 914M

## Capacitive Pressure Gauge Transmitter

---



---

### Features

---

- Capacitive gauge pressure transmitter.
- Low maintenance, quick calibration and configuration.
- Installation directly into pressurized vessels.
- HART technology provides ease of setup and diagnostics during operation.
- Pressure port for thread 1/4 "NPT or 1/2" NPT adapter.

---

## Summary

---

Reliable and easy installation.....	3
Principle of operation .....	3
Sensor Benefits .....	3
Characteristics.....	4
Technological advancements.....	4
Technical specifications.....	5
Sales code.....	6
Mechanical dimensions.....	8
Electrical connections.....	9

---

## *Reliable and easy installation*

---



Direct installation on top or connecting vessel.



Installations in communicating vessels.



Installations in communicating vessels.

---

## *Principle of operation*

---

The capacitive pressure sensor allows the reading of differential pressures between two differential sources. By means of an oscillator connected to the capacitors the frequency reading is made without the need for A/D converters, resulting in high precision and repeatability.

The mechanical construction of this sensor offer a predictable behavior when there are changes in the static pressure and or temperature of the process, allowing for methods of compensation.

---

## *Sensor Benefits*

---

Installation with NPT threads or high pressure adapters.

Measurement of product pressure and can be used with remote seal.

Suitable for aggressive products; vapors, gases and liquids.

Requires minimal maintenance and cleaning of pressure sensors.

System of compensation, facilitating the maintenance of the user.

Ideal for pressurized tanks and or process equipment.

---

## *Characteristics*

---

---

### *Reliability*

---

Standard HART with more than 30 years of experience in the field.

CPU 16 BITS for fast processing of real-time signals.

Pressure reading with good immunity to changes in process conditions.

Good operation where other measurement technologies have instabilities.

---

### *Flexibility*

---

Mounting directly to the tank, or by means of a remote seal.

Pressurized tanks with liquids, vapors and corrosive gases.

Sensors made of 316SST, Hastelloy 276 and Monel 400 for several products applications.

Diagnostics in pressurized environments without process interference.

---

### *Installation*

---

Ease of handling of the adapter flanges.

Allows installation on pre-existing NPT connections in tanks.

Preconfigured in the factory, or via HART communicators.

HART 7 protocol ensures operation with control and monitoring systems.

---

## *Technological advancements*

---

---

### *Minimized maintenance.*

---

Robust and resistant to mechanical handling.

Configuration software with graphical interface for operational diagnostics.

Adjustments with process in operation.

Compensated for changes in the process.

Configuration tools available for computers, hand held tablet and cell phones.

Configurators with RS232 interface, USB and Wireless Bluetooth.

Bluetooth interface available for configuring hard to reach installations.

Configuration data can be saved, printed, or exported to spread sheet.

## Technical specifications

<b>General information</b>	
<b>Applications</b>	Liquid products, gases and vapors
<b>Principle of operation</b>	Measurement by differential capacitors
<b>Communication signal</b>	4 to 20mA with HART protocol 7.0
<b>Read Signal</b>	Astable oscillator frequency between 200 and 2kHz.
<b>Regulation</b>	The 914M can be considered a non-intensional emitter
<b>Operating Humidity</b>	100% R.H.
<b>Weather location</b>	Not applicable
<b>Response Time</b>	Typical 0.2 Seconds
<b>Display instrument</b>	Type TFT monochrome high contrast pixel 0.127mm
<b>Configuration</b>	Via push buttons or HART communicators
<b>Power supply voltage</b>	12 to 50Vdc, bi-directional transorb protection
<b>Exit sign</b>	4 to 20mA with HART protocol
<b>Accuracy</b>	+/- 0.1% Reading
<b>Resolution</b>	+/- 0.01% Reading
<b>Static pressure</b>	Not applicable
<b>Process connection</b>	1/4 "NPT
<b>Sealing ring</b>	Viton, teflon
<b>Process pressure</b>	-150% to + 150% operating range.
<b>Process temperature</b>	-40 to 125 C
<b>Room temperature</b>	-40 to 75 C

## Sales code

The 914M is versatile, offers quick installation and operation with proven technology that can be reconfigured in the field.

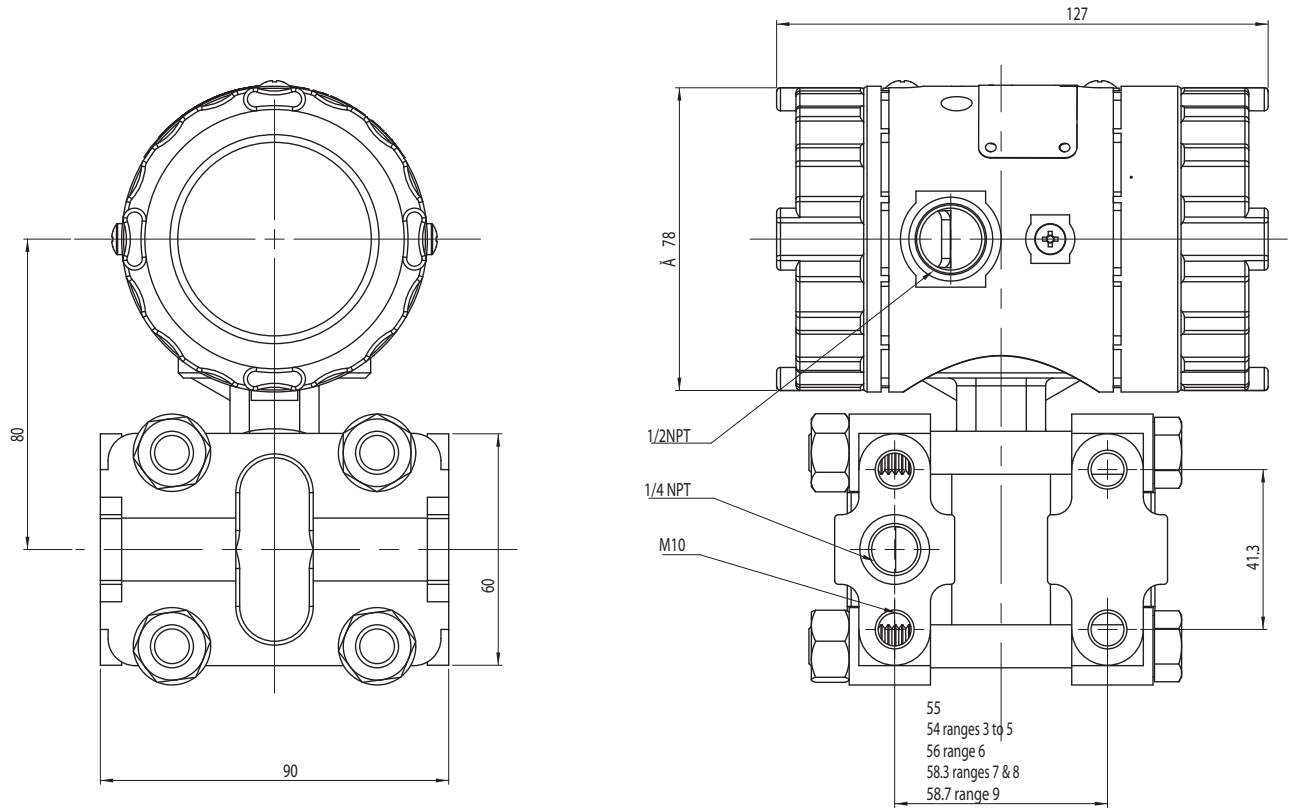
When selecting this product you should consider:

1. Great flexibility of applications with a variety of accessories and process connections, and several optional materials.
2. It has HART communication plus 4 to 20mA signal, which can be easily adapted for Profibus, Modbus, Bluetooth, and HART wireless.
3. The instrument can be pre-configured at the factory, or via HART communicators for greater flexibility during installation and maintenance.

914M	Capacitive Pressure Gauge Transmitter			
:	<b>Communication protocol</b>			
:	<b>H</b>	HART 7.0 - 4 to 20mA		
:	<b>F</b>	Fieldbus Foundation		
:	<b>P</b>	Profibus PA		
:	:	<b>Working Range</b>	<b>Nominal Span</b>	<b>Minimum Span</b>
:	:	<b>3</b> Range 3	70 mbar	20 mbar
:	:	<b>4</b> Range 4	400 mbar	50 mbar
:	:	<b>5</b> Range 5	2 bar	250 mbar
:	:	<b>6</b> Range 6	7 bar	700 mbar
:	:	<b>7</b> Range 7	20 bar	2 bar
:	:	<b>8</b> Range 8	70 bar	7 bar
:	:	<b>9</b> Range 9	200 bar	20 bar
:	:	:	<b>Sensor Diaphragm</b>	
:	:	:	<b>I</b>	Stainless Steel - SS316L
:	:	:	<b>H</b>	Hastelloy C276
:	:	:	<b>M</b>	Monel 400
:	:	:	<b>T</b>	Tantalum
:	:	:	<b>Z</b>	Others
:	:	:	:	<b>Sensor Filling Fluid</b>
:	:	:	<b>S</b>	Silicone Oil
:	:	:	<b>F</b>	Oil fluorolube
:	:	:	<b>H</b>	Halocarbon oil
:	:	:	<b>Z</b>	Others
:	:	:	:	<b>Sensor sealing ring</b>
:	:	:	<b>B</b>	Buna N
:	:	:	<b>V</b>	Viton
:	:	:	<b>T</b>	Teflon

:	:	:	:	:	:	<b>Electronic Enclosure</b>				
:	:	:	:	:	:	<b>A</b>	Aluminum with powder coating			
:	:	:	:	:	:	<b>I</b>	Stainless steel SS303			
:	:	:	:	:	:	<b>Electrical connection</b>				
:	:	:	:	:	:	<b>1</b>	1/2 "- 14 NPT			
:	:	:	:	:	:	<b>2</b>	M20 x 1.5 mm			
:	:	:	:	:	:	:	<b>Flanges</b>			
:	:	:	:	:	:	<b>I</b>	Stainless steel 316 - CF8M			
:	:	:	:	:	:	<b>H</b>	Hastelloy C276			
:	:	:	:	:	:	<b>M</b>	Monel 400			
:	:	:	:	:	:	<b>Z</b>	Others			
:	:	:	:	:	:	:	<b>Process connection</b>			
:	:	:	:	:	:	<b>0</b>	1/4 "NPT			
:	:	:	:	:	:	<b>1</b>	1/2 "NPT with SS316 Adapter			
:	:	:	:	:	:	<b>2</b>	1/2 "NPT with Hastelloy C276 Adapter			
:	:	:	:	:	:	<b>3</b>	1/2 "NPT with Monel 400 Adapter			
:	:	:	:	:	:	<b>Z</b>	Others			
<b>914M</b>	<b>H</b>	<b>3</b>	<b>I</b>	<b>S</b>	<b>B</b>	<b>A</b>	<b>1</b>	<b>I</b>	<b>1</b>	

## Mechanical dimensions





## Electrical connections

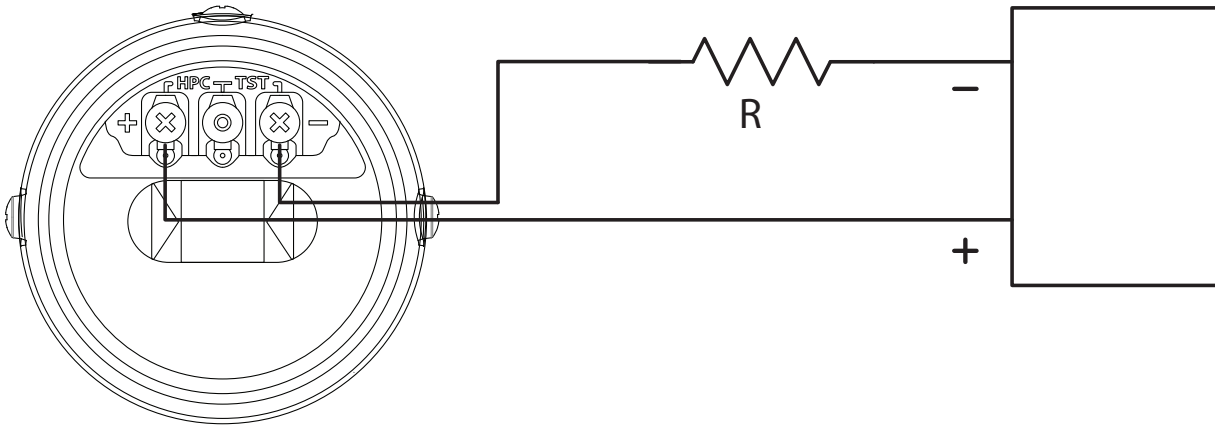


Fig. 1. - Connections with power supply

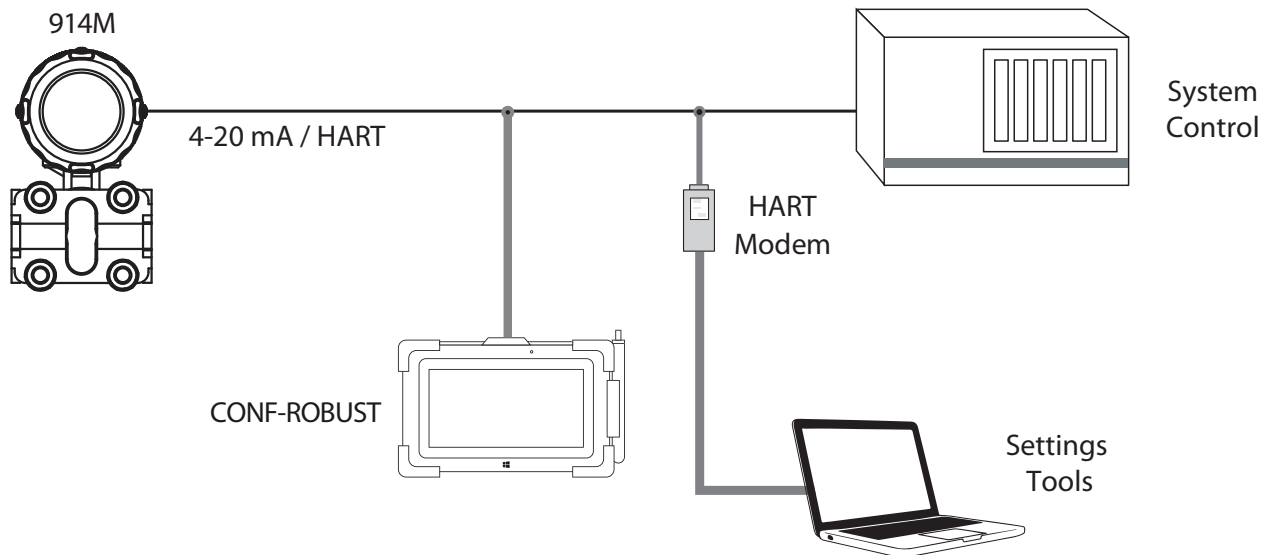


Fig. 2. - Connections for HART communication

---

Springfield Research reserves the right to make changes to design and functionality of any product without notice. Springfield Research does not assume any liability arising out of the application or use of any product. Springfield Research logo is registered trademarks of Springfield Research. HART is a registered trademark of the HART Communication Foundation.  
© 2018 Springfield Research Corp. All rights reserved

---



Springfield Research Corporation  
3350 NW 22nd Terrace Suite 500 • Pompano Beach, FL USA 33069  
Tel: +1 (954) 657.8849 • Fax: +1 (954) 657.8895 • sales@springres.com •  
www.springres.com

