
914S

Capacitive Sanitary Pressure Transmitter



Features

- Capacitive Sanitary Pressure Transmitter
- Low maintenance, quick calibration and configuration.
- Installation directly into pressurized vessels.
- HART technology provides ease of setup and diagnostics during operation.
- Facility in installation, model TRICLAMP, RTJ, IDF, SMS, DIN11851.

Summary

Reliable and easy installation.....	3
Principle of operation	3
Sensor Benefits	3
Characteristics.....	4
Technological advancements.....	4
Technical specifications.....	5
Sales code.....	6
Mechanical dimensions.....	8
Electrical connections.....	9

Reliable and easy installation



Direct installation on top or connecting vessel.



Installations in communicating vessels.



Installations in communicating vessels.

Principle of operation

The capacitive pressure sensor allows the reading of differential pressures between two differential sources. By means of an oscillator connected to the capacitors the frequency reading is made without the need for A/D converters, resulting in high precision and repeatability.

The mechanical construction of this sensor offer a predictable behavior when there are changes in the static pressure and or temperature of the process, allowing for methods of compensation.

Sensor Benefits

Easy installation, directly on flanges model TRICLAMP, RTJ, IDF, SMS, DIN11851.

Measurement of product pressure and can be used with remote seal.

Easy maintenance and cleaning of pressure sensors.

System of compensation, facilitating the maintenance of the user.

Ideal for pressurized tanks and or process equipment.

The sanitary transmitter is suitable for food, pharmaceutical and other applications, where maximum sanitation and cleanliness is required.

Characteristics

Reliability

Standard HART with more than 30 years of experience in the field.

CPU 16 BITS for fast processing of real-time signals.

Pressure reading with good immunity to changes in process conditions.

Good operation where other measurement technologies have instabilities.

Flexibility

Mounting directly to the tank, or by means of a remote seal.

Pressurized tanks with liquids, vapors and corrosive gases.

Sensors made of 316SST, Hastelloy 276 and Monel 400 for several products applications.

Diagnostics in pressurized environments without process interference.

Installation

Ease of handling of the adapter flanges.

Allows installation on pre-existing NPT connections in tanks.

Preconfigured in the factory, or via HART communicators.

HART 7 protocol ensures operation with control and monitoring systems.

Technological advancements

Minimized maintenance.

Robust and resistant to mechanical handling.

Configuration software with graphical interface for operational diagnostics.

Adjustments with process in operation.

Compensated for changes in the process.

Configuration tools available for computers, hand held tablet and cell phones.

Configurators with RS232 interface, USB and Wireless Bluetooth.

Bluetooth interface available for configuring hard to reach installations.

Configuration data can be saved, printed, or exported to spread sheet.

Technical specifications

Informação geral	
Applications	Liquid products, gases and vapors
Principle of operation	Measurement by differential capacitors
Communication signal	4 to 20mA with HART protocol 7.0
Read Signal	Astable oscillator frequency between 200 and 2kHz.
Regulation	The 914S can be considered a non-intensional emitter
Operating Humidity	100% R.H.
Weather location	Not applicable
Response Time	Typical 0.2 Seconds
Display instrument	Type TFT monochrome high contrast pixel 0.127mm
Configuration	Via push buttons or HART communicators
Power supply voltage	12 to 50Vdc, bi-directional transorb protection
Exit sign	4 to 20mA with HART protocol
Accuracy	+/- 0.1% Reading
Resolution	+/- 0.01% Reading
Static pressure	Dependent on flange class
Process connection	DIN or ASME flanged bases
Process pressure	-150% to + 150% operating range.
Process temperature	-40 A 300 C depending on the selected option
Room temperature	-40 to 75 C

Sales code

The 914S is versatile, offers quick installation and operation with proven technology that can be reconfigured in the field.

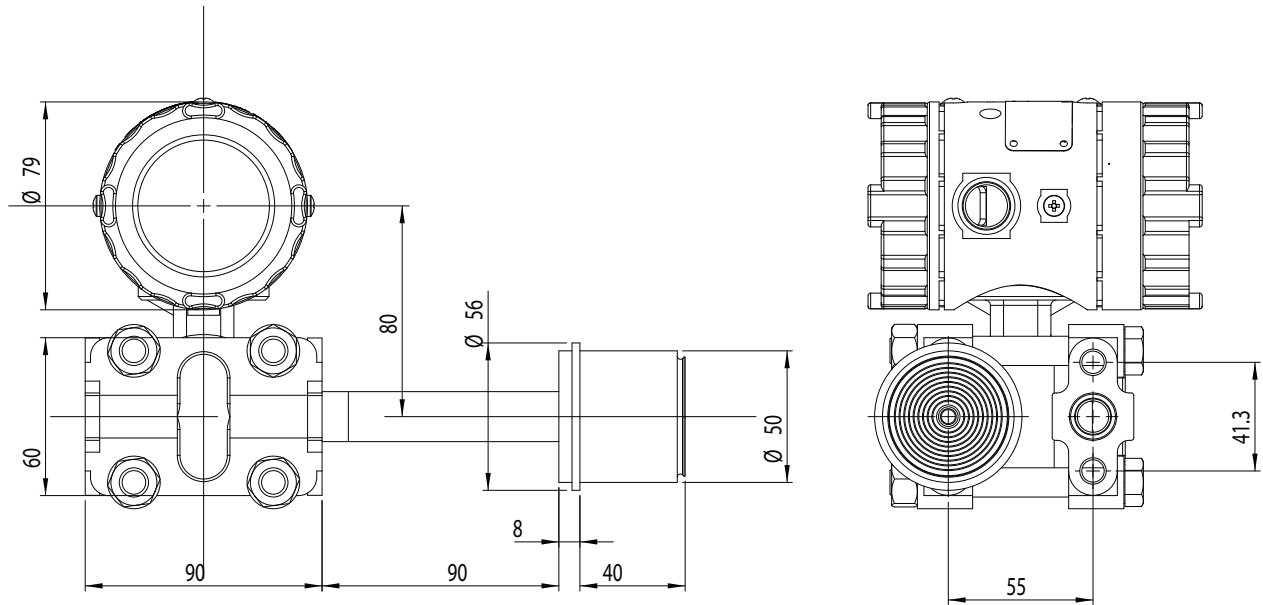
When selecting this product you should consider:

1. Great flexibility of applications with a variety of accessories and process connections, and several optional materials.
2. It has HART communication plus 4 to 20mA signal, which can be easily adapted for Profibus, Modbus, Bluetooth, and HART wireless.
3. The instrument can be pre-configured at the factory, or via HART communicators for greater flexibility during installation and maintenance.

914S	Capacitive Sanitary Transmitter			
:	Communication protocol			
:	H	HART 7.0 - 4 a 20mA		
:	F	Fieldbus foundation		
:	P	Profibus PA		
:	:	Working Range	Nominal Span	Minimum Span
:	:	3	Range 3	70 mbar
:	:	4	Range 4	400 mbar
:	:	5	Range 5	2 bar
:	:	6	Range 6	7 bar
:	:	7	Range 7	20 bar
:	:	8	Range 8	70 bar
:	:	:	Sensor Diaphragm (low side)	
:	:	:	I	Stainless Steel - SS316L
:	:	:	H	Hastelloy C276
:	:	:	M	Monel 400
:	:	:	T	Tantalum
:	:	:	Z	Others
:	:	:	Sensor filling fluid (low side)	
:	:	:	S	Silicone Oil
:	:	:	F	Fluorolube oil
:	:	:	H	Halocarbon oil
:	:	:	Z	Others
:	:	:	Sensor sealing ring (low side)	
:	:	:	B	Buna N
:	:	:	V	Viton
:	:	:	T	Teflon
:	:	:	Electronic Enclosure	
:	:	:	A	Aluminum with electrostatic paint (powder coating)
:	:	:	I	Stainless steel SS303

:	:	:	:	:	:	:	:	Electrical connection						
:	:	:	:	:	:	:	:	1	1/2 "- 14 NPT					
:	:	:	:	:	:	:	:	2	M20 x 1.5 mm					
:	:	:	:	:	:	:	:	:	Flanges (Low Side)					
:	:	:	:	:	:	:	:	I	316 stainless steel - CF8M					
:	:	:	:	:	:	:	:	H	Hastelloy C276					
:	:	:	:	:	:	:	:	M	Monel 400					
:	:	:	:	:	:	:	:	Z	Others					
:	:	:	:	:	:	:	:	:	Process connection (low side)					
:	:	:	:	:	:	:	:	0	1/4 "NPT					
:	:	:	:	:	:	:	:	1	1/2 "NPT with SS316 Adapter					
:	:	:	:	:	:	:	:	2	1/2 "NPT with Hastelloy C276 Adapter					
:	:	:	:	:	:	:	:	3	1/2 "NPT with Monel 400 Adapter					
:	:	:	:	:	:	:	:	Z	Others					
:	:	:	:	:	:	:	:	:	Connection to the sanitary socket process					
:	:	:	:	:	:	:	:	TC11	Tri-Clamp 1 1/2 "w / extension	ID2C	IDF 2 "w / extension			
:	:	:	:	:	:	:	:	TC2C	Tri-Clamp 2 "with extension	ID2S	IDF 2 "extension			
:	:	:	:	:	:	:	:	TC2S	Tri-Clamp 2 "s / extension	ID3C	IDF 3 "w / extension			
:	:	:	:	:	:	:	:	TC3C	Tri-Clamp 3 "with extension	ID3S	IDF 3 "extension			
:	:	:	:	:	:	:	:	TC3S	Tri-Clamp 3 "s / extension	RJ2C	RJT 2 "w / Extension			
:	:	:	:	:	:	:	:	SM11	SMS 1 1/2 "w / extension	RJ2S	RJT 2 "s / extension			
:	:	:	:	:	:	:	:	SM2C	SMS 2 "w / extension	RJ3C	RJT 3 "w / Extension			
:	:	:	:	:	:	:	:	SM2S	SMS 2 "s / extension	RJ3S	RJT 3 "s / extension			
:	:	:	:	:	:	:	:	SM3C	SMS 3 "w / extension	TZ	Others			
:	:	:	:	:	:	:	:	SM3S	SMS 3 "s / extension					
:	:	:	:	:	:	:	:	:	Sanitary Outlet Material					
:	:	:	:	:	:	:	:	T304	304 stainless steel					
:	:	:	:	:	:	:	:	T316	316L stainless steel					
:	:	:	:	:	:	:	:	:	Sanitary outlet diaphragm material					
:	:	:	:	:	:	:	:	DI	316L stainless steel					
:	:	:	:	:	:	:	:	DH	Hastelloy C276					
:	:	:	:	:	:	:	:	DM	Monel 400					
:	:	:	:	:	:	:	:	DT	Tantalum					
:	:	:	:	:	:	:	:	DRH	Coating in Hallar					
:	:	:	:	:	:	:	:	DRT	Coating in Tefzel					
:	:	:	:	:	:	:	:	:	Sanitary Outlet Filling Fluid					
:	:	:	:	:	:	:	:	F704	Silicone DC704					
:	:	:	:	:	:	:	:	F200	Silicone DC200					
:	:	:	:	:	:	:	:	FN	Neobee					
:	:	:	:	:	:	:	:	FZ	Others					
914S	H	3	I	S	B	A	1	I	1	TC3C	T304	DI	FN	

Mechanical dimensions



Electrical connections

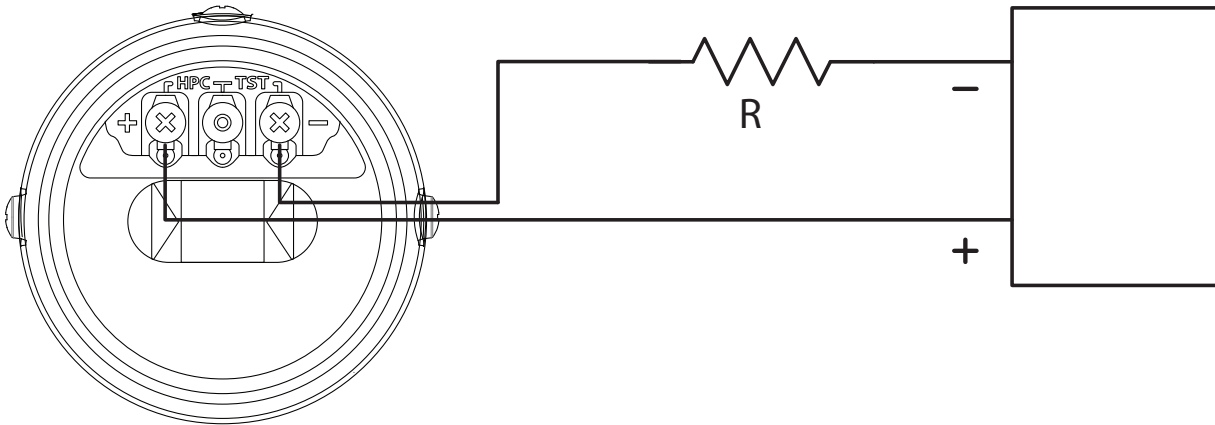


Fig. 1. - Connections with power supply

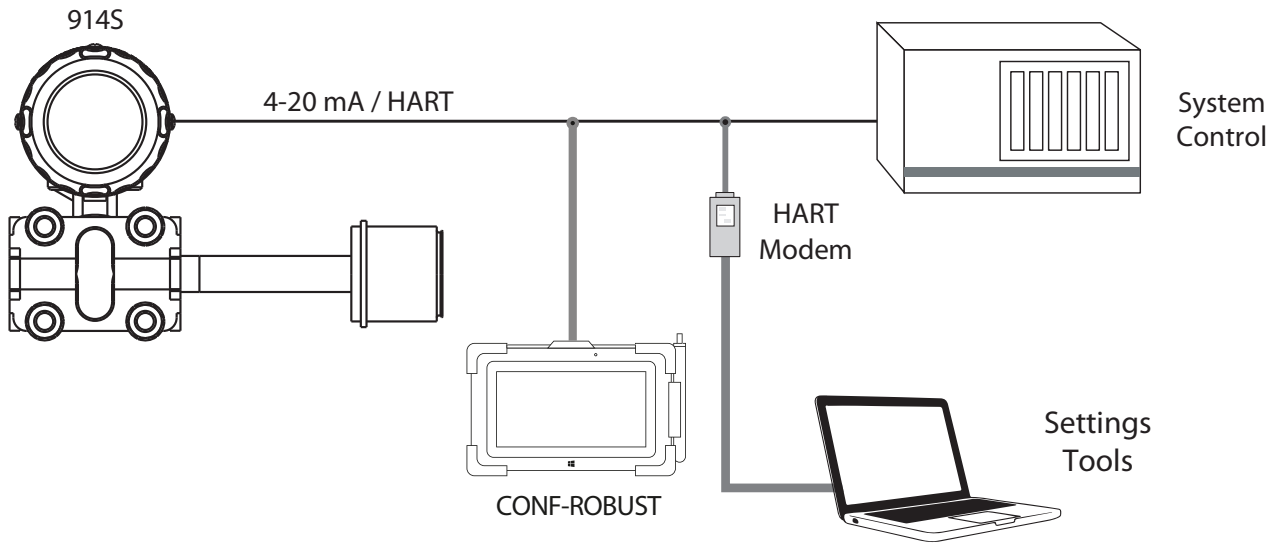


Fig. 2. - Connections for HART communication

Springfield Research reserves the right to make changes to design and functionality of any product without notice. Springfield Research does not assume any liability arising out of the application or use of any product. Springfield Research logo is registered trademarks of Springfield Research. HART is a registered trademark of the HART Communication Foundation.
© 2018 Springfield Research Corp. All rights reserved



Springfield Research Corporation
3350 NW 22nd Terrace Suite 500 • Pompano Beach, FL USA 33069
Tel: +1 (954) 657.8849 • Fax: +1 (954) 657.8895 • sales@springres.com •
www.springres.com

